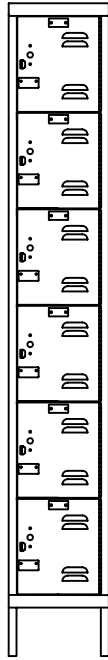
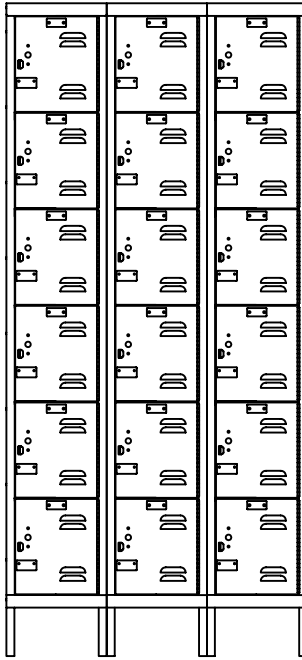


# **GALVANITE K. D. 6-TIER STOCK LOCKER ASSEMBLY INSTRUCTIONS**



1-WIDE



3-WIDE

## **General Instructions**

1. Check material received against the packing list. First check the number of packages received and then check the contents of each package.
2. Check material received for damage. If damage has occurred, secure a "damage notation" from the carrier.
3. Identify each part as it is unpacked and put like parts together as close as possible to the working area in which they are to be assembled.
4. Be careful to use the correct hardware as specified in the assembly instructions.
5. Items with suffix (xx) are available options.

## **CAUTION**

IN THE INTEREST OF SAFETY, ALL LOCKERS MUST BE SECURELY ANCHORED TO THE FLOOR AND/OR WALL.  
FOR SAFETY, HANDLE ALL COMPONENTS CAREFULLY AND WEAR WORK-GLOVES WHEN ASSEMBLING LOCKERS.

INSTALL ALL UNITS PLUMB AND TIGHTEN ALL HARDWARE SECURELY.

RETAIN INSTRUCTIONS FOR FUTURE REFERENCE.



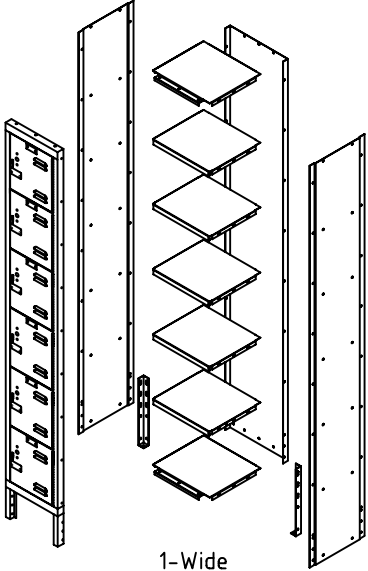
2823 W. Orange Ave.  
Apopka, FL 32703

Phone (866) 566-0500  
Fax (407) 464-3610

**[www.Hallowell-List.com](http://www.Hallowell-List.com)**

# GALVANITE K.D. 6-TIER STOCK LOCKER ASSEMBLY INSTRUCTIONS

## PACKAGE CONTENTS

REF. NO.	DESCRIPTION	PART NO.	1-WIDE QUANTITY 6-TIER	3-WIDE QUANTITY 6-TIER	
①	REAR PANEL	KRww72G	1	3	 <p style="text-align: center;">1-Wide 6-Tier K.D. Locker</p>
②	RIGHT/LEFT SIDE PANEL	KPdd72G	2	4	
③	TOP/BOTTOM SHELF	KSwwddG	2	6	
④	INTERMEDIATE SHELF	KHwwddG	5	15	
⑤	DOOR FRAME ASSEMBLY	LKDFww78-6G	1	3	
x ⑥	DOOR	LKDww72-6LV-G	6	18	
⑦	BOX DOOR LATCH PULL	KBLP100	6	18	
⑧	NUMBER PLATE	NPH	6	18	
⑨	NUMBER PLATE RIVET	RV101	12	36	
xx ⑩	STRIKE PLATE	SP100	6	18	
⑪	REAR LEG	KLG	2	2	
⑫	3/8" SLOTLESS BOLT	MBT200	94	282	
⑬	HEX NUT	N201	82	246	
⑭	HI-DOME CAP NUT	N110	12	36	
x ⑮	PIANO HINGE	PH11	6	12	
x ⑯	RIVET (HINGE)	RV102	12	36	

PART NUMBER SUFFIX SHOW  
WIDTH, HEIGHT, DEPTH AND TIER  
CUSTOMER TO SPECIFY.

### NOTE:

FOR OPTIONAL INDIVIDUAL SLOPE TOPS,  
SEE SUPPLEMENTAL INSTRUCTION SHEET NO. ASY-H-KIST-A

FOR OPTIONAL 6" HIGH CLOSED METAL BASE,  
SEE SUPPLEMENTAL INSTRUCTION SHEET NO. ASY-H-KIST-B

x SHIPS PRE-HUNG IN DOOR FRAME ASSEMBLY.

xx STRIKE PLATES ARE OPTIONAL - INCLUDES TWO RIVETS ⑨.

### PART NO. LEGEND:

dd = DEPTH

ww = WIDTH

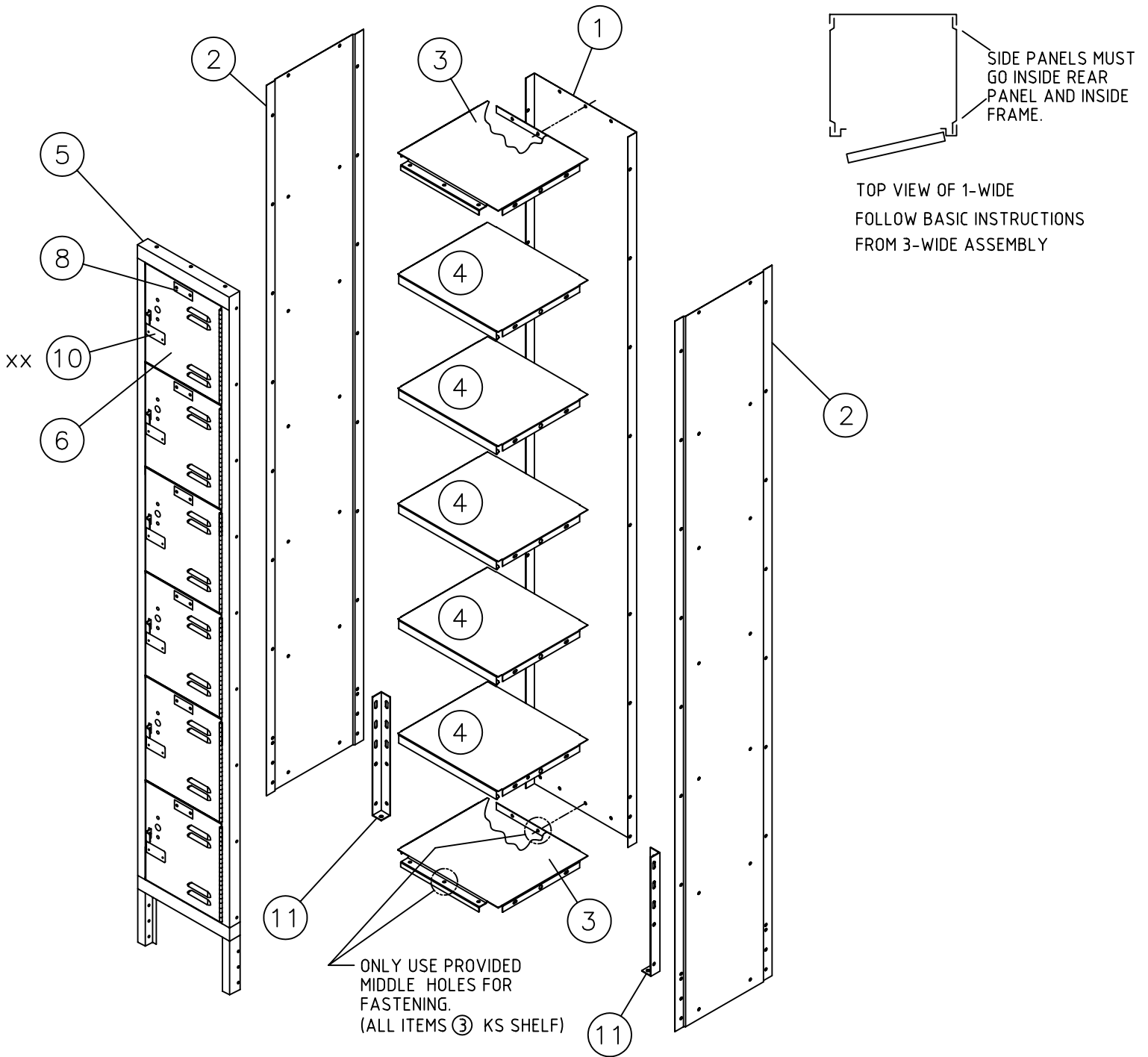
**TOOLS REQUIRED: 3/8" NUT  
DRIVER (3/8" SOCKET MAY BE  
SUBSTITUTED)**

## TWO-YEAR WARRANTY

HALLOWELL K.D. LOCKERS ARE COVERED AGAINST ALL DEFECTS IN MATERIALS AND WORKMANSHIP EXCLUDING FINISH, DAMAGE RESULTING FROM DELIBERATE DESTRUCTION AND VANDALISM UNDER THIS SECTION FOR A PERIOD OF TWO YEARS.



# GALVANITE K.D. 6-TIER STOCK LOCKER ASSEMBLY INSTRUCTIONS



HALLOWELL MAKES EVERY EFFORT TO ENSURE THAT ALL UNITS SHIP COMPLETE. HOWEVER, SHOULD YOUR UNIT CONTAIN MISSING OR DAMAGED PARTS, REPLACEMENTS MAY BE OBTAINED FROM HALLOWELL. TO OBTAIN PARTS, FOLLOW THESE INSTRUCTIONS.

## PLEASE PROVIDE THE FOLLOW INFORMATION:

MODEL NUMBER

PURCHASE DATE

DESCRIPTION OF PART(S) NEEDED & PART NUMBER(S) AS SHOWN IN PARTS LIST

COMPANY NAME & CONTACT PERSON

COLOR

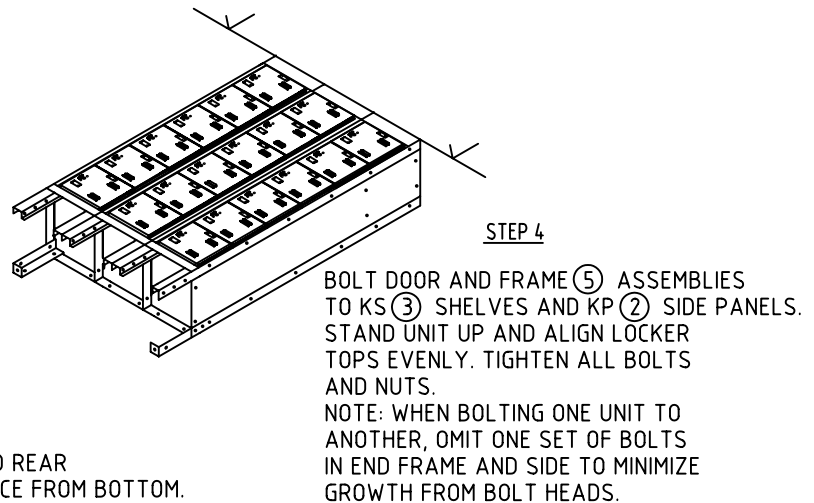
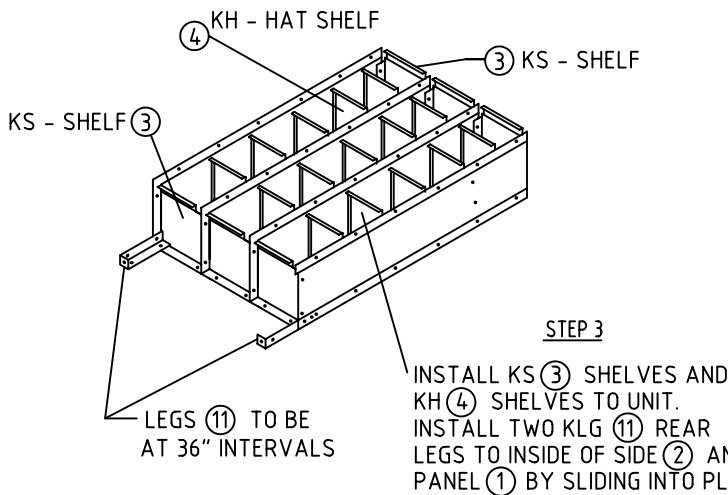
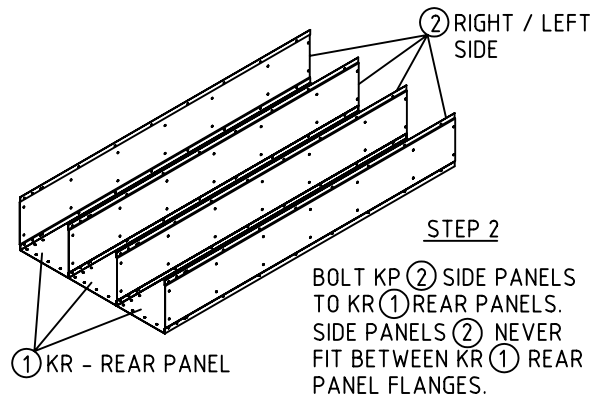
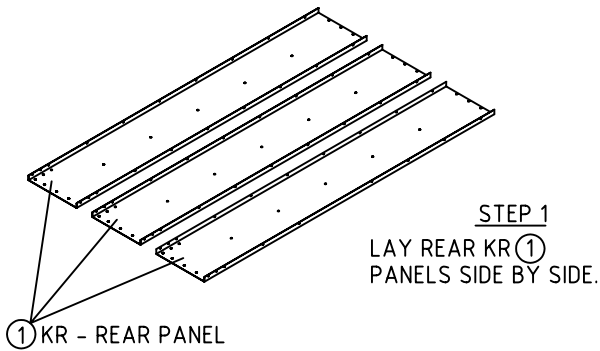
WHERE THE PRODUCT WAS PURCHASED FROM

IF REQUESTING PARTS BY TELEPHONE, ASK FOR CUSTOMER SERVICE & PROVIDE THE ABOVE INFORMATION.

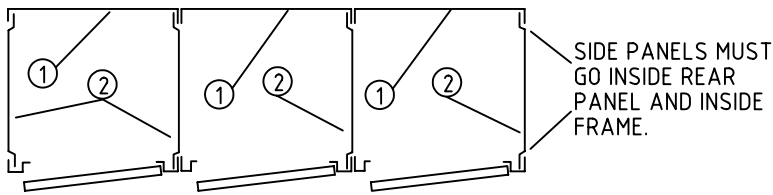


# GALVANITE K.D. 6-TIER STOCK LOCKER ASSEMBLY INSTRUCTIONS

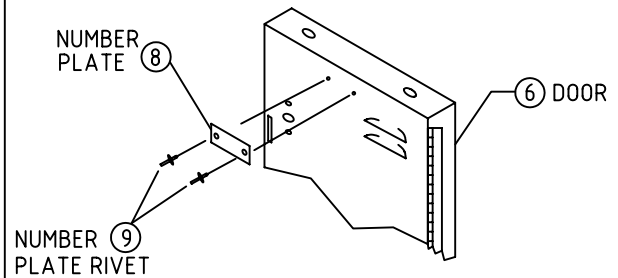
(A GROUPING OF (3) THREE 6-TIER LOCKERS ILLUSTRATED )



## ASSEMBLY OF SINGLE ROW LOCKERS NEVER PUT SIDE PANELS BETWEEN FRAMES.



3-WIDE UNIT PLAN VIEW



ASSEMBLY OF NUMBER PLATE

## HARDWARE USED FOR MAIN LOCKER ASSEMBLY



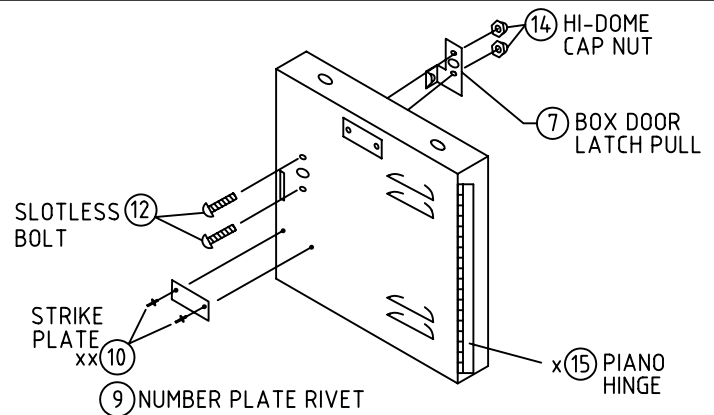
10 - 24 x 3/8"

MBT200 SLOTLESS BOLT (12)



N201 HEX NUT (13)

TIGHTEN NUT WITH A NUT DRIVER OR WRENCH (SCREW IS TAMPER RESISTANT).



ASSEMBLY OF STRIKE PLATE & LATCH PULL

