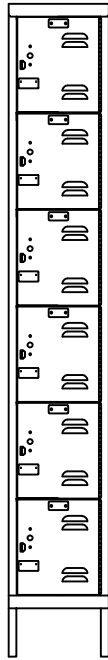
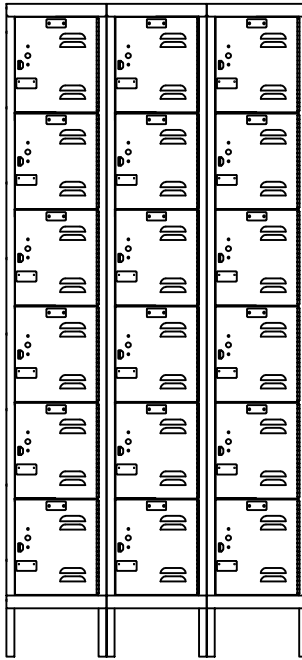


# STAINLESS STEEL 6-TIER LOCKER ASSEMBLY INSTRUCTIONS



1-WIDE



3-WIDE

## General Instructions

1. Check material received against the packing list. First check the number of packages received and then check the contents of each package.
2. Check material received for damage. If damage has occurred, secure a "damage notation" from the carrier.
3. Identify each part as it is unpacked and put like parts together as close as possible to the working area in which they are to be assembled.
4. Be careful to use the correct hardware as specified in the assembly instructions.
5. Items with suffix (xx) are available options.

## CAUTION

IN THE INTEREST OF SAFETY, ALL LOCKERS MUST BE SECURELY ANCHORED TO THE FLOOR AND/OR WALL.  
FOR SAFETY, HANDLE ALL COMPONENTS CAREFULLY AND WEAR WORK-GLOVES WHEN ASSEMBLING LOCKERS.

INSTALL ALL UNITS PLUMB AND TIGHTEN ALL HARDWARE SECURELY.

RETAIN INSTRUCTIONS FOR FUTURE REFERENCE.

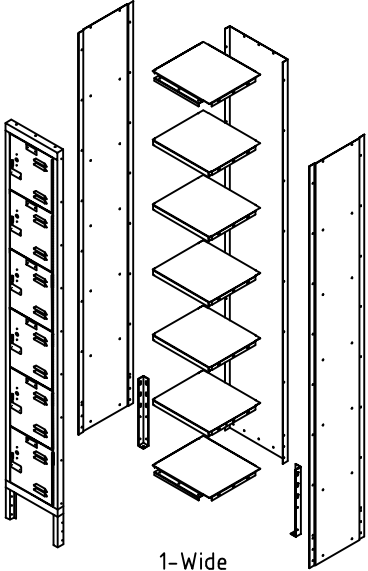


[www.Hallowell-List.com](http://www.Hallowell-List.com)

Phone (866) 566-0500

# STAINLESS STEEL 6-TIER LOCKER ASSEMBLY INSTRUCTIONS

## PACKAGE CONTENTS

REF. NO.	DESCRIPTION	PART NO.	1-WIDE QUANTITY 6-TIER		3-WIDE QUANTITY 6-TIER		 <p>1-Wide 6-Tier K.D. Locker</p>
①	REAR PANEL	KRww72SS	1		3		
②	RIGHT/LEFT SIDE PANEL	KP1872SS	2		4		
③	TOP/BOTTOM SHELF	KSww18SS	2		6		
④	INTERMEDIATE SHELF	KHww18SS	5		15		
⑤	DOOR FRAME ASSEMBLY	LKDFww78-6LV-SS	1		3		
x ⑥	DOOR	LKDww72-6LV-SS	6		18		
⑦	BOX DOOR LATCH PULL	KBLP100SS	6		18		
⑧	NUMBER PLATE	NPH	6		18		
⑨	NUMBER PLATE RIVET	RV101SS	12		36		
xx ⑩	STRIKE PLATE	xxSP100	xx6		xx18		
⑪	REAR LEG	KLG-SS	2		2		
⑫	3/8" SLOTLESS BOLT	MBT200SS	94		282		
⑬	HEX NUT	N201SS	82		246		
⑭	HI-DOME CAP NUT	N110SS	12		36		
x ⑮	RIVET (HINGE)	RV102SS	12		36		

### NOTE:

FOR OPTIONAL INDIVIDUAL SLOPE TOPS,  
SEE SUPPLEMENTAL INSTRUCTION SHEET NO. ASY-H-KIST-B

FOR OPTIONAL 6" HIGH CLOSED METAL BASE,  
SEE SUPPLEMENTAL INSTRUCTION SHEET NO. ASY-H-KCFB

x SHIPS PRE-HUNG IN DOOR FRAME ASSEMBLY.

xx STRIKE PLATES ARE OPTIONAL - INCLUDES TWO RIVETS ⑨.

### PART NO. LEGEND:

dd = DEPTH  
ww = WIDTH

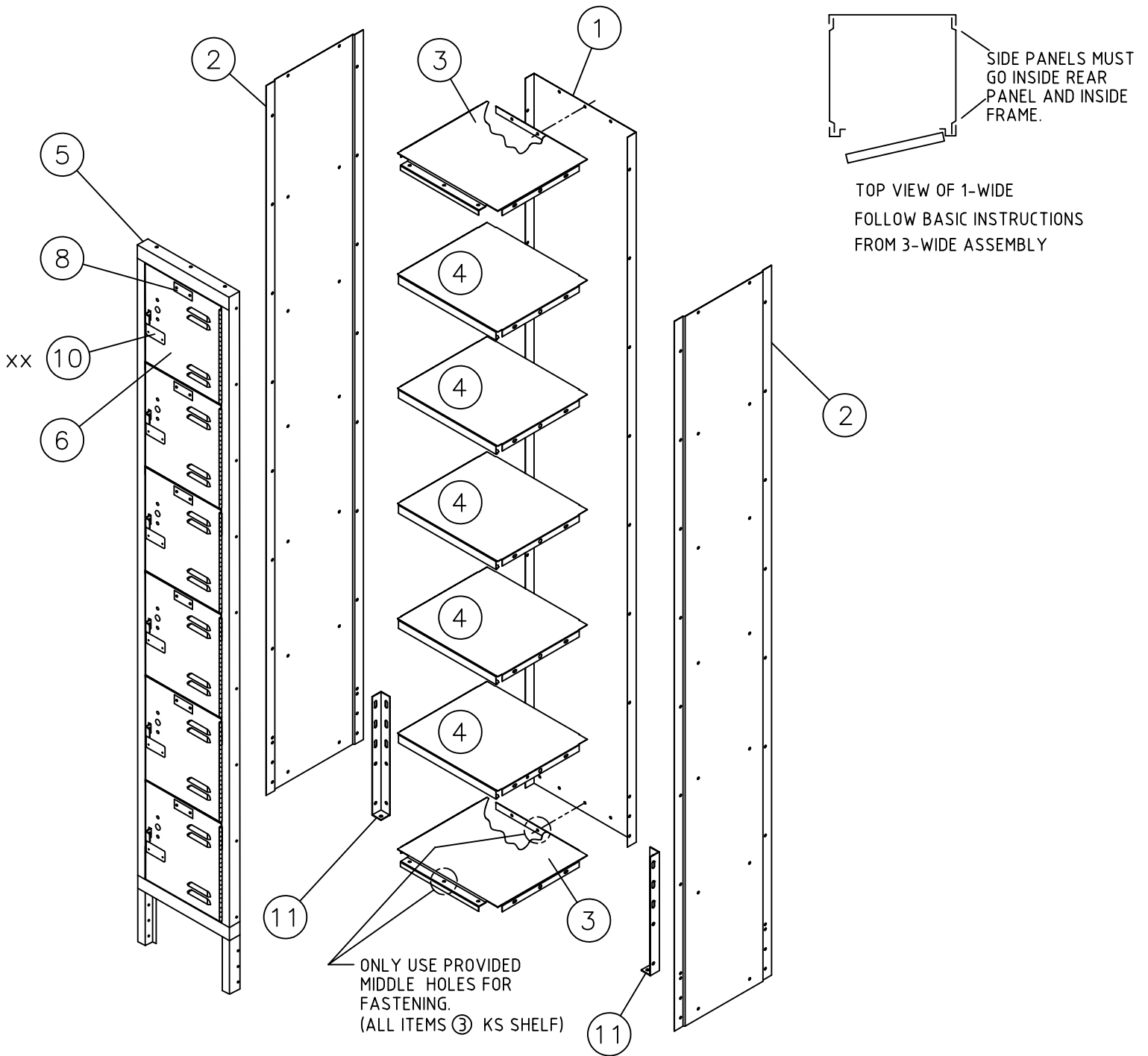
**TOOLS REQUIRED: 3/8" NUT  
DRIVER (3/8" SOCKET MAY BE  
SUBSTITUTED)**

## TWO-YEAR WARRANTY

HALLOWELL KD LOCKERS ARE COVERED AGAINST ALL DEFECTS IN MATERIALS AND WORKMANSHIP EXCLUDING FINISH, DAMAGE RESULTING FROM DELIBERATE DESTRUCTION AND VANDALISM UNDER THIS SECTION FOR A PERIOD OF TWO YEARS.



# STAINLESS STEEL 6-TIER LOCKER ASSEMBLY INSTRUCTIONS



HALLOWELL MAKES EVERY EFFORT TO ENSURE THAT ALL UNITS SHIP COMPLETE. HOWEVER, SHOULD YOUR UNIT CONTAIN MISSING OR DAMAGED PARTS, REPLACEMENTS MAY BE OBTAINED FROM HALLOWELL. TO OBTAIN PARTS, FOLLOW THESE INSTRUCTIONS.

## PLEASE PROVIDE THE FOLLOW INFORMATION:

MODEL NUMBER

PURCHASE DATE

DESCRIPTION OF PART(S) NEEDED & PART NUMBER(S) AS SHOWN IN PARTS LIST

COMPANY NAME & CONTACT PERSON

COLOR

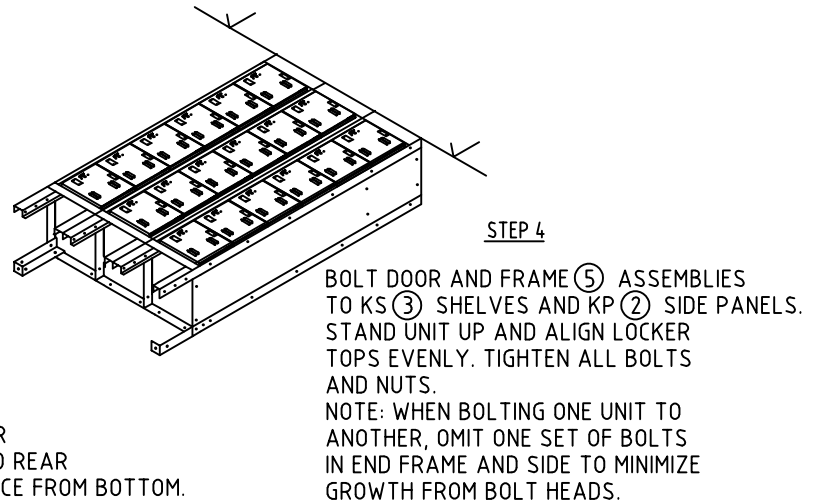
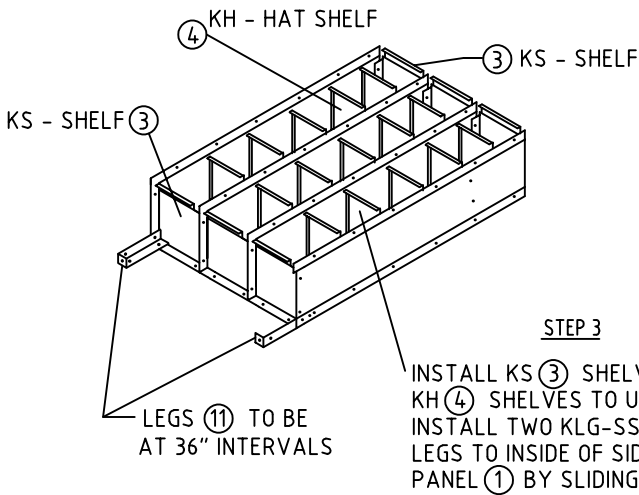
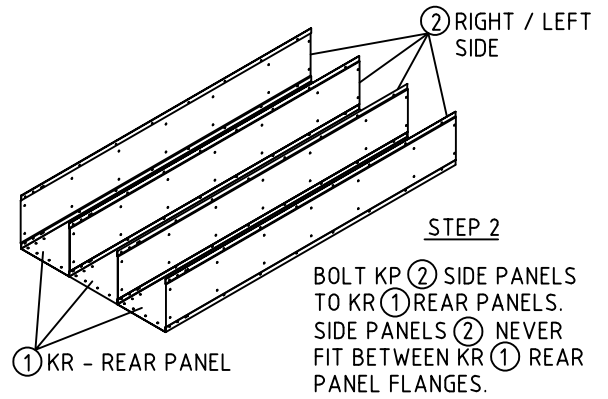
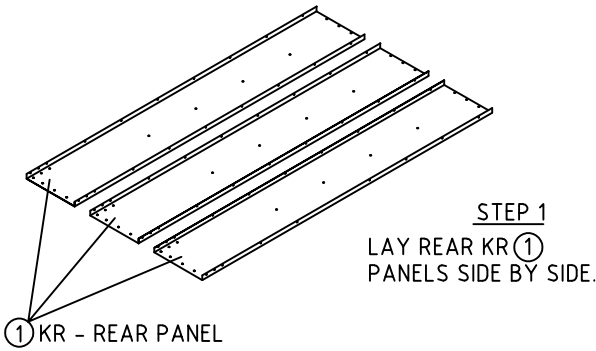
WHERE THE PRODUCT WAS PURCHASED FROM

IF REQUESTING PARTS BY TELEPHONE, ASK FOR CUSTOMER SERVICE & PROVIDE THE ABOVE INFORMATION.

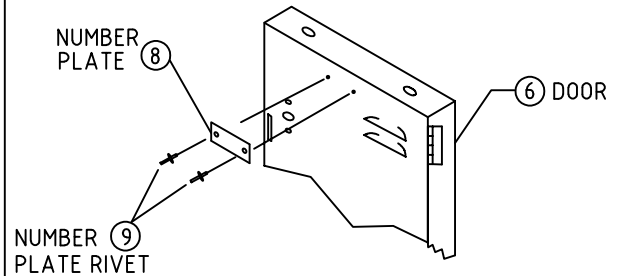
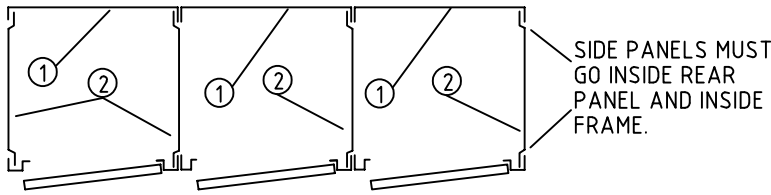


# STAINLESS STEEL 6-TIER LOCKER ASSEMBLY INSTRUCTIONS

(A GROUPING OF (3) THREE 6-TIER LOCKERS ILLUSTRATED )



## ASSEMBLY OF SINGLE ROW LOCKERS NEVER PUT SIDE PANELS BETWEEN FRAMES.



### ASSEMBLY OF NUMBER PLATE

## HARDWARE USED FOR MAIN LOCKER ASSEMBLY



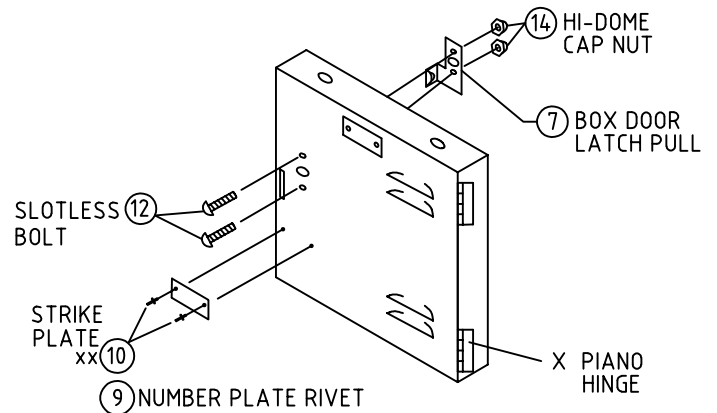
10 - 24 x 3/8"

MBT200SS SLOTLESS BOLT (12)



N201SS HEX NUT (13)

TIGHTEN NUT WITH A NUT DRIVER OR WRENCH (SCREW IS TAMPER RESISTANT).



### ASSEMBLY OF STRIKE PLATE & LATCH PULL

