

STOCK → PROGRAM

Quick Ship

BOLTLESS SHELVING UNITS

THE FASTEST SHIPPING IN THE INDUSTRY...

RIVETWELL™ SHELVING

RIVETWELL™

Boltless shelving is designed to maximize storage space and minimize installation set-up time.

All components are engineered to attach snugly to one another without the use of loose fasteners. This unique design has rivets which are factory attached to all left-to-right and front-to-back beams. The rivets align with keyhole slots in the vertical posts. Once tapped into place using a standard rubber mallet, the units are tightly assembled providing maximum strength.

Standard units consist of vertical angle posts at the corners, double rivet angle beams at the top and bottom perimeter and single rivet angle beams running left-to-right only at the intermediate levels. Shelves are of standard 5/8" particle board, EZ-Deck steel or wire decking and simply drop into place. Shelf strength can be increased by upgrading to heavy duty beams, adding single rivet beams running front-to-back at the intermediate levels, upgrading to double rivet beams at the full perimeter of the intermediate levels or upgrading all levels to our strongest double rivet channel beams. Optional center supports can be added using supplied hardware to increase decking capacity.



Double Rivet unit with 5 levels



Single Rivet unit with 4 levels

Double Rivet unit with 4 levels

The versatility of our Rivetwell boltless shelving system allows you to mix and match components to meet your unique application. From standard storage applications, record storage to automotive tire racks, Rivetwell boltless shelving is your storage solution.



COLOR SELECTION
729 PARCHMENT (PT)

BOLTLESS SHELVING COMPONENTS

Hallowell

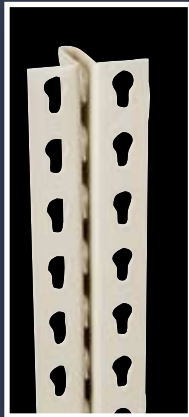
www.Hallowell-List.com

RIVETWELL™ SHELVING

1 Angle Post



2 T-Post



1 Angle Post (Standard Duty): 1-1/2" x 1-1/2" x 14 gauge cold rolled steel corner post uprights. Perfect for standard load situations.

Angle Post (Heavy Duty): Shall be 1-7/8" x 1-7/8" x 14 gauge cold rolled steel uprights. The choice when heavy duty shelving is required. Perfect for multilevel installations.

2 T-Post (Standard Duty): 3" x 1-7/8" x 14 gauge cold rolled steel intermediate uprights.

T-Post (Heavy Duty): 3-3/4" x 1-7/8" x 14 gauge cold rolled steel intermediate uprights.

3 Single Rivet Shelf Beam (Standard Duty): This 14 gauge low profile standard intermediate level shelf beam is perfect when maximum clear opening is required between shelf levels.

Single Rivet Shelf Beam (Heavy Duty): An 11 gauge heavy duty version of our low profile intermediate shelf beam allowing maximum clear opening between shelf levels.

4 Double Rivet Angle Beam (Standard Duty): This 16 gauge shelf beam is essential for stability of standard units; therefore, is used on all four sides at the top and bottom levels. Can also be used front and back or on all four sides of intermediate levels to increase unit stability and load capacity.

Double Rivet Angle Beam (Heavy Duty): An upgrade to our standard duty double rivet angle beams, our heavy duty double rivet angle beams provide additional unit rigidity and even higher shelf capacity.

5 Double Rivet Channel Beam: Maximized left-to-right shelf capacity is achieved using our 14 gauge double rivet channel beams in lieu of double rivet angle beams. These beams cannot be used at the bottom level.

6 Center Support: Used to provide additional shelf support front-to-back by bolting between double rivet beams at prepunched locations. Ideal for wider spans.

7 Double Rivet Z-Beam (Standard Duty): For 12" thru 60" beams. Used in place of double rivet angle beams to add 1" additional clearance between shelf levels. Allows particle board decking to sit flush with beam. Protects decking edges. When used at bottom level of single rivet units, shelf clearance is increased by 1" at lower level. Standard Z beams are 14 gauge.

8 Double Rivet Z-Beam (Heavy Duty): For 69" and 72" beams. Used in place of double rivet angle beams to add 1" additional clearance between shelf levels. Allows particle board decking to sit flush with beam. Protects decking edges. Heavy-Duty Z beams are 14 gauge.

9 Center Support for Z-Beam: Used with Z-Beams for front to back decking support. Fabricated of 11 gauge cold rolled steel.

3 Single Rivet Shelf Beam

4 Double Rivet Angle Beam

5 Double Rivet Channel Beam

6 Center Support

7 Double Rivet Z-Beam (Standard Duty)

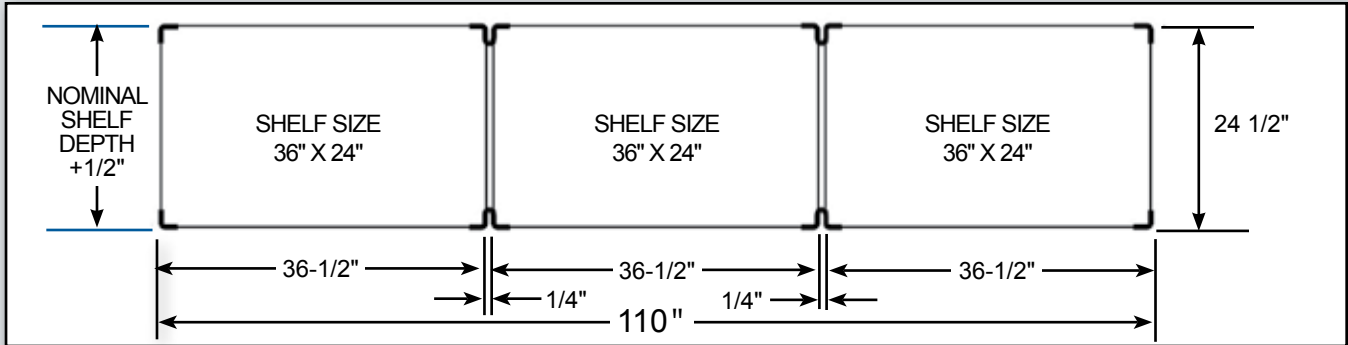
8 Double Rivet Z-Beam (Heavy Duty)

9 Z-Beam Center Support

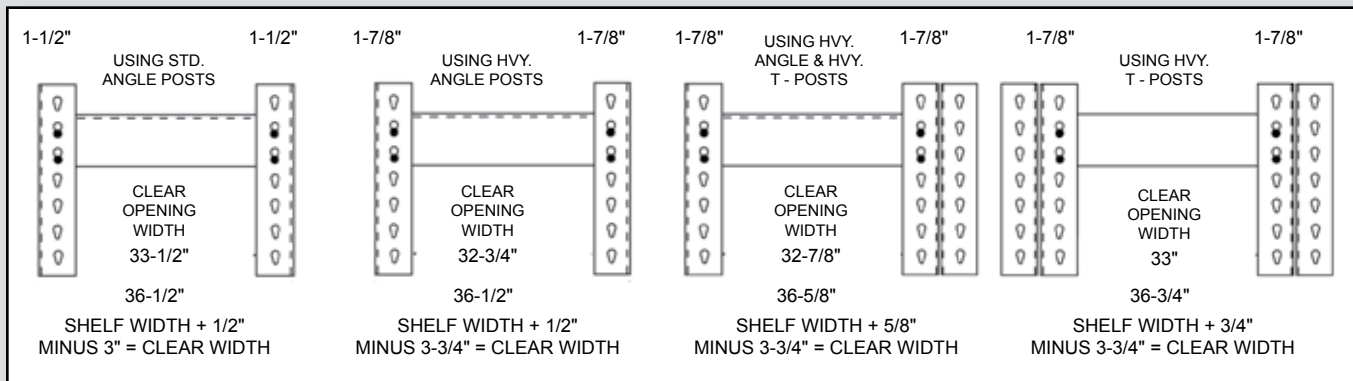
5 DAY SHIPPING ON ALL IN-STOCK PRODUCTS

UNIT GROWTH CHART

When designing a shelving layout. Unit growth must be considered. To determine the overall dimension of a continuous row of shelving employing T-Posts or Angle Posts with tie plates, refer to the table below.

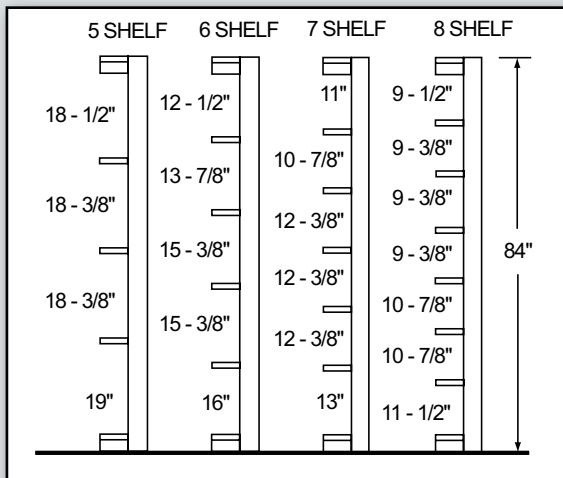


UNIT CLEAR WIDTH Examples below are based on 36" wide shelf.

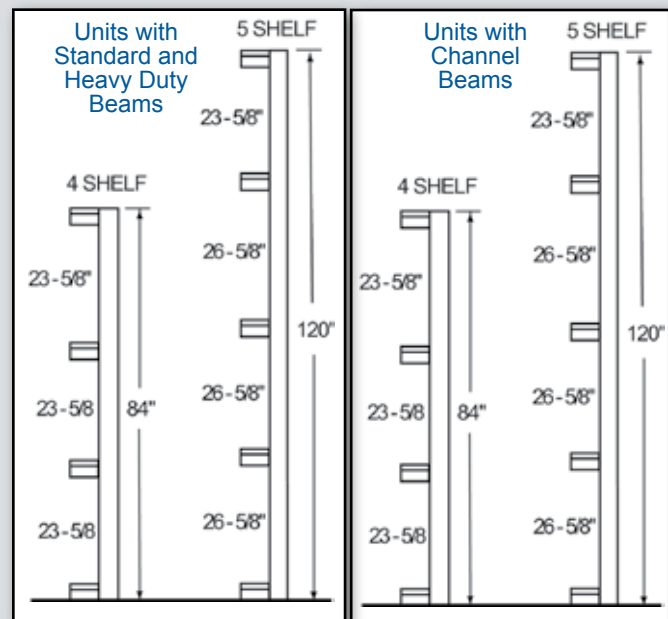


VERTICAL SHELF CLEARANCE FOR SINGLE RIVET UNITS

This chart depicts shelf clearances for typical rivetwell shelving units with 1-1/2" vertical shelf adjustment



VERTICAL SHELF CLEARANCE FOR DOUBLE RIVET UNITS



SINGLE RIVET SHELVING UNITS 84" HIGH

Hallowell

www.Hallowell-List.com

RIVETWELL™ SHELVING

SINGLE RIVET UNITS - 84" HIGH							
36" Wide Units				48" Wide Units			
(Decking not included)				(Decking not included)			
Levels	Depth	Shelf Capacity	Starter Model No.	Adder Model No.	Shelf Capacity	Starter Model No.	Adder Model No.
	12	350	SRS361284-5S	SRS361284-5A	250	SRS481284-5S	SRS481284-5A
	18	350	SRS361884-5S	SRS361884-5A	250	SRS481884-5S	SRS481884-5A
	24	350	SRS362484-5S	SRS362484-5A	250	SRS482484-5S	SRS482484-5A
	30	350	SRS363084-5S	SRS363084-5A	250	SRS483084-5S	SRS483084-5A
	36	350	SRS363684-5S	SRS363684-5A	250	SRS483684-5S	SRS483684-5A
6 Shelf Units	12	350	SRS361284-6S	SRS361284-6A	250	SRS481284-6S	SRS481284-6A
	18	350	SRS361884-6S	SRS361884-6A	250	SRS481884-6S	SRS481884-6A
	24	350	SRS362484-6S	SRS362484-6A	250	SRS482484-6S	SRS482484-6A
	30	350	SRS363084-6S	SRS363084-6A	250	SRS483084-6S	SRS483084-6A
	36	350	SRS363684-6S	SRS363684-6A	250	SRS483684-6S	SRS483684-6A
7 Shelf Unit	12	350	SRS361284-7S	SRS361284-7A	250	SRS481284-7S	SRS481284-7A
	18	350	SRS361884-7S	SRS361884-7A	250	SRS481884-7S	SRS481884-7A
	24	350	SRS362484-7S	SRS362484-7A	250	SRS482484-7S	SRS482484-7A
	30	350	SRS363084-7S	SRS363084-7A	250	SRS483084-7S	SRS483084-7A
	36	350	SRS363684-7S	SRS363684-7A	250	SRS483684-7S	SRS483684-7A
8 Shelf Unit	12	350	SRS361284-8S	SRS361284-8A	250	SRS481284-8S	SRS481284-8A
	18	350	SRS361884-8S	SRS361884-8A	250	SRS481884-8S	SRS481884-8A
	24	350	SRS362484-8S	SRS362484-8A	250	SRS482484-8S	SRS482484-8A
	30	350	SRS363084-8S	SRS363084-8A	250	SRS483084-8S	SRS483084-8A
	36	350	SRS363684-8S	SRS363684-8A	250	SRS483684-8S	SRS483684-8A

Starter units consist of four standard angle posts, four left-to-right standard double rivet angle beams, four front-to-back standard double rivet angle beams, two left-to-right standard single rivet beams per intermediate level and two front-to-back standard single rivet beam at one intermediate level only (30" and 36" deep units include two front-to-back standard single rivet beams at each intermediate level).

Adder units consist of two standard T-Posts, four left-to-right standard double rivet angle beams, two front-to-back standard double rivet angle beam, two left-to-right standard single rivet beam per intermediate level and one front-to-back standard single rivet beam at one intermediate level only (30" and 36" deep units include one front-to-back single rivet beam at each intermediate level).

PARTICLE BOARD DECKING	
SIZE	PART NO.
36" X 12"	HPB3612
36" X 18"	HPB3618
36" X 24"	HPB3624
36" X 30"	HPB3630
36" X 36"	HPB3636
48" X 12"	HPB4812
48" X 18"	HPB4818
48" X 24"	HPB4824
48" X 30"	HPB4830

Be sure to order one each of particle board decking per level.

EZ-Deck steel decking can NOT be used on single rivet units.



Standard 5-shelf single rivet unit (order decking separately)

Standard 4-shelf double rivet unit, see page 78. (order decking separately)



5 DAY SHIPPING ON ALL IN-STOCK PRODUCTS

STOCK → **PROGRAM**

Quick Ship

DOUBLE RIVET SHELVING UNITS

THE FASTEST SHIPPING IN THE INDUSTRY...

RIVETWELL™ SHELVING

DOUBLE RIVET UNITS - 84" HIGH WITH 4 LEVELS

Width	Beam Type	Depth	Shelf Cap	Without Center Support (Decking Not Included)		Shelf Cap	With Center Support (Decking Not Included)		Decking	
				Starter Model No.	Adder Model No.		Starter Model No.	Adder Model No.	Particle Board Decking	EZ-Deck Steel Decking
48"	Standard	18	550	DRS481884-4S	DRS481884-4A	875	DRSC481884-4S	DRSC481884-4A	HPB4818	HEZD4818
		24	550	DRS482484-4S	DRS482484-4A	875	DRSC482484-4S	DRSC482484-4A	HPB4824	HEZD4824
	30	550	DRS483084-4S	DRS483084-4A	825	DRSC483084-4S	DRSC483084-4A	HPB4830	HEZD4830	
	36	550	DRS483684-4S	DRS483684-4A	775	DRSC483684-4S	DRSC483684-4A	HPB4836	HEZD4836	
48"	Heavy-Duty	48	550	DRS484884-4S	DRS484884-4A	700	DRSC484884-4S	DRSC484884-4A	HPB4848	HEZD4848
		18	750	DRH481884-4S	DRH481884-4A	1400	DRHC481884-4S	DRHC481884-4A	HPB4818	HEZD4818
	24	750	DRH482484-4S	DRH482484-4A	1400	DRHC482484-4S	DRHC482484-4A	HPB4824	HEZD4824	
	30	750	DRH483084-4S	DRH483084-4A	1310	DRHC483084-4S	DRHC483084-4A	HPB4830	HEZD4830	
60"	Heavy-Duty	36	750	DRH483684-4S	DRH483684-4A	1220	DRHC483684-4S	DRHC483684-4A	HPB4836	HEZD4836
		48	750	DRH484884-4S	DRH484884-4A	1125	DRHC484884-4S	DRHC484884-4A	HPB4848	HEZD4848
	18	600	DRH601884-4S	DRH601884-4A	1200	DRHC601884-4S	DRHC601884-4A	HPB6018	HEZD6018	
	24	600	DRH602484-4S	DRH602484-4A	1200	DRHC602484-4S	DRHC602484-4A	HPB6024	HEZD6024	
60"	Angle Beam	30	600	DRH603084-4S	DRH603084-4A	1200	DRHC603084-4S	DRHC603084-4A	HPB6030	HEZD6030
		36	600	DRH603684-4S	DRH603684-4A	1200	DRHC603684-4S	DRHC603684-4A	HPB6036	HEZD6036
	48	600	DRH604884-4S	DRH604884-4A	1200	DRHC604884-4S	DRHC604884-4A	HPB6048	HEZD6048	
	18	-	-	-	2000	DRCC601884-4S	DRCC601884-4A	HPB6018	HEZD6018	
60"	Channel Beam	24	-	-	-	2000	DRCC602484-4S	DRCC602484-4A	HPB6024	HEZD6024
		30	-	-	-	2000	DRCC603084-4S	DRCC603084-4A	HPB6030	HEZD6030
	36	-	-	-	2000	DRCC603684-4S	DRCC603684-4A	HPB6036	HEZD6036	
	48	-	-	-	2000	DRCC604884-4S	DRCC604884-4A	HPB6048	HEZD6048	
72"	Heavy-Duty	18	500	DRH721884-4S	DRH721884-4A	1000	DRHC721884-4S	DRHC721884-4A	HPB7218	HEZD7218
		24	500	DRH722484-4S	DRH722484-4A	1000	DRHC722484-4S	DRHC722484-4A	HPB7224	HEZD7224
	30	500	DRH723084-4S	DRH723084-4A	1000	DRHC723084-4S	DRHC723084-4A	HPB7230	HEZD7230	
	36	500	DRH723684-4S	DRH723684-4A	1000	DRHC723684-4S	DRHC723684-4A	HPB7236	HEZD7236	
72"	Channel	48	500	DRH724884-4S	DRH724884-4A	1000	DRHC724884-4S	DRHC724884-4A	HPB7248	HEZD7248
		18	-	-	-	1850	DRCC721884-4S	DRCC721884-4A	HPB7218	HEZD7218
	24	-	-	-	1850	DRCC722484-4S	DRCC722484-4A	HPB7224	HEZD7224	
	30	-	-	-	1850	DRCC723084-4S	DRCC723084-4A	HPB7230	HEZD7230	
96"	Heavy-Duty	36	-	-	-	1850	DRCC723684-4S	DRCC723684-4A	HPB7236	HEZD7236
		48	-	-	-	1850	DRCC724884-4S	DRCC724884-4A	HPB7248	HEZD7248
	18	-	-	-	620	DRHC961884-4S	DRHC961884-4A	HPB9618	HEZD9618	
	24	-	-	-	620	DRHC962484-4S	DRHC962484-4A	HPB9624	HEZD9624	
96"	Angle Beam	30	-	-	-	620	DRHC963084-4S	DRHC963084-4A	HPB9630	HEZD9630
		36	-	-	-	620	DRHC963684-4S	DRHC963684-4A	HPB9636	HEZD9636
	48	-	-	-	620	DRHC964884-4S	DRHC964884-4A	HPB9648	HEZD9648	
	18	-	-	-	1400	DRCC961884-4S	DRCC961884-4A	HPB9618	HEZD9618	
96"	Channel Beam	24	-	-	-	1400	DRCC962484-4S	DRCC962484-4A	HPB9624	HEZD9624
		30	-	-	-	1400	DRCC963084-4S	DRCC963084-4A	HPB9630	HEZD9630
	36	-	-	-	1400	DRCC963684-4S	DRCC963684-4A	HPB9636	HEZD9636	
	48	-	-	-	1400	DRCC964884-4S	DRCC964884-4A	HPB9648	HEZD9648	

DOUBLE RIVET UNITS - 120" HIGH WITH 5 LEVELS

72"	Heavy-Duty Angle Beam	30	500	DRH7230120-5S	DRH7230120-5A	1000	DRHC7230120-5S	DRHC7230120-5A	HPB7230	HEZD7230
		36	500	DRH7236120-5S	DRH7236120-5A	1000	DRHC7236120-5S	DRHC7236120-5A	HPB7236	HEZD7236
		48	500	DRH7248120-5S	DRH7248120-5A	1000	DRHC7248120-5S	DRHC7248120-5A	HPB7248	HEZD7248
72"	Channel Beam	30	-	-	-	1490	DRCC7230120-5S	DRCC7230120-5A	HPB7230	HEZD7230
		36	-	-	-	1490	DRCC7236120-5S	DRCC7236120-5A	HPB7236	HEZD7236
		48	-	-	-	1490	DRCC7248120-5S	DRCC7248120-5A	HPB7248	HEZD7248
96"	Heavy-Duty Angle Beam	30	-	-	-	620	DRHC9630120-5S	DRHC9630120-5A	HPB9630	HEZD9630
		36	-	-	-	620	DRHC9636120-5S	DRHC9636120-5A	HPB9636	HEZD9636
		48	-	-	-	620	DRHC9648120-5S	DRHC9648120-5A	HPB9648	HEZD9648
96"	Channel Beam	30	-	-	-	1400	DRCC9630120-5S	DRCC9630120-5A	HPB9630	HEZD9630
		36	-	-	-	1400	DRCC9636120-5S	DRCC9636120-5A	HPB9636	HEZD9636
		48	-	-	-	1400	DRCC9648120-5S	DRCC9648120-5A	HPB9648	HEZD9648

Starter units consist of four standard angle posts, *two left-to-right standard double rivet angle/channel beams per level and two front-to-back standard double rivet angle beams per level.

Adder units consist of two standard T-Posts, *two left-to-right standard double rivet angle/channel beams per level and two front-to-back standard double rivet angle beams per level. *Channel beam units are provided with left-to-right double rivet angle beams at bottom level.

RECORD STORAGE UNITS

Hallowell

www.Hallowell-List.com

RIVETWELL™ SHELVING

RECORD STORAGE UNITS								
Width	Depth	Height	Levels	No. of boxes	Starter Model No.	Adder Model No.	Particle Board Decking	EX-Deck Steel Decking
42"	15"	60"	3	18	RS421560-3S	RS421560-3A	HPB4215	HEZD4215
	30"	60"	3	36	RS423060-3S	RS423060-3A	HPB4230	HEZD4230
69"	15"	60"	3	30	RS691560-3S	RS691560-3A	HPB6915	HEZD6915
	30"	60"	3	60	RS693060-3S	RS693060-3A	HPB6930	HEZD6930
42"	15"	84"	4	24	RS421584-4S	RS421584-4A	HPB4215	HEZD4215
	30"	84"	4	48	RS423084-4S	RS423084-4A	HPB4230	HEZD4230
69"	15"	84"	4	40	RS691584-4S	RS691584-4A	HPB6915	HEZD6915
	30"	84"	4	80	RS693084-4S	RS693084-4A	HPB6930	HEZD6930
42"	15"	108"	5	30	RS4215108-5S	RS4215108-5A	HPB4215	HEZD4215
	30"	108"	5	60	RS4230108-5S	RS4230108-5A	HPB4230	HEZD4230
69"	15"	108"	5	50	RS6915108-5S	RS6915108-5A	HPB6915	HEZD6915
	30"	108"	5	100	RS6930108-5S	RS6930108-5A	HPB6930	HEZD6930

Be sure to order one each of particle board or EZ-Deck steel decking per level.
 *The above units do not include record storage boxes.

Hallowell Record Storage Boxes are 12" w x 15" d x 10" h and are constructed of 200# test white corrugated. Includes double thickness bottoms and reinforced carry handles. Must be ordered in lots of 20.



RECORD STORAGE BOXES
 Catalog No. Qty. Per Carton
 HRSB 20

ACCESS UNIT FROM FRONT OR BACK!



Record Storage Unit with 4 levels (80 Box unit)

COLOR SELECTION
 729 Parchment

5 DAY SHIPPING ON ALL IN-STOCK PRODUCTS

STOCK → **PROGRAM**



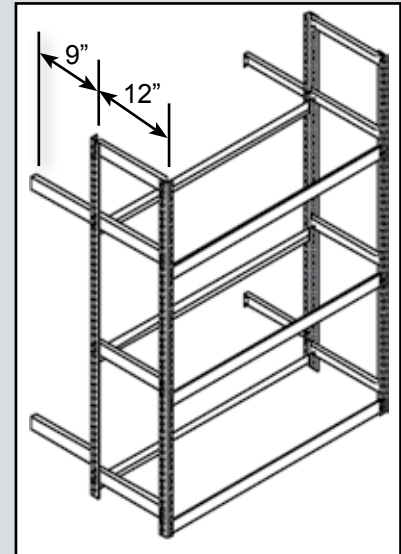
AUTOMOTIVE STORAGE RACKS AND UNITS

THE FASTEST SHIPPING IN THE INDUSTRY...

TIRE STORAGE RACKS

Width	Depth	Height	Levels	*Tire Capacity	Starter Model No.	Adder Model No.
SINGLE ROW						
60"	21"	84"	3	24	TSS602184-3S	TSS602184-3A
	21"	120"	4	32	TSS6021120-4S	TSS6021120-4A
	21"	144"	5	40	TSS6021144-5S	TSS6021144-5A
	21"	192"	6	48	TSS6021192-6S**	TSS6021192-6A**
DOUBLE ROW						
60"	42"	84"	3	48	TSD602184-3S	TSD602184-3A
	42"	120"	4	64	TSD6021120-4S	TSD6021120-4A
	42"	144"	5	80	TSD6021144-5S	TSD6021144-5A
	42"	192"	6	96	TSD6021192-6S**	TSD6021192-6A**

(*)Based on average passenger tire (**) Supplied with heavy-duty posts



Tire Storage Rack

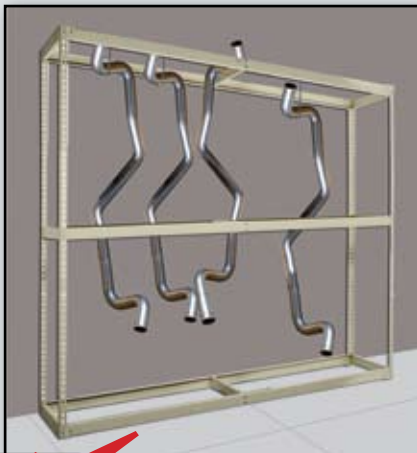
MUFFLER STORAGE UNITS

Width	Depth	Height	Levels	Starter Model No.	Adder Model No.	Particle Board Decking	
						Size	Part No.
48"	36"	84"	5	MS483684-5S	MS483684-5A	48" X 36"	HPB4836
96"	36"	84"	5	MS963684-5S	MS963684-5A	96" X 36"	HPB9636

Be sure to order one each of particle board decking per level.

HANGING TAILPIPE RACK

Width	Depth	Height	Starter Model No.
48"	18"	120"	HTP4818120
96"	18"	120"	HTP9618120



Hanging Tailpipe Rack



Tire Rack



Muffler Storage Rack

COLOR SELECTION

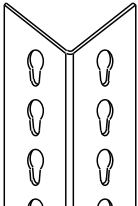
729 Parchment

RIVETWELL SHELVING COMPONENTS

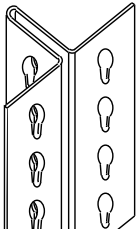
Hallowell

www.Hallowell-List.com

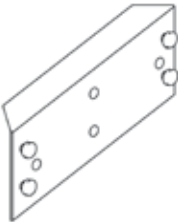
RIVETWELL™ SHELVING COMPONENTS

PART DESCRIPTION	HEIGHT	STANDARD PART NO.	HEAVY-DUTY PART NO.
ANGLE POST		1-1/2" x 1-1/2" (14 ga)	1-7/8" x 1-7/8" (14 ga)
Punched for self adjustment on 1-1/2" centers 	3'	APS03	-
	4'	APS04	-
	5'	APS05	-
	6'	APS06	APH06
	7'	APS07	APH07
	8'	APS08	APH08
	9'	APS09	APH09
	10'	APS10	APH10
	12'	APS12	APH12
	14'	APS14	APH14
	16'	APS16	APH16

Note: For requirements above 16'-0" high, multiple posts can be spliced using PS05 post splice without compromising capacity.

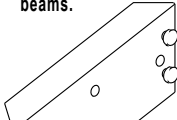
PART DESCRIPTION	HEIGHT	STANDARD PART NO.	HEAVY-DUTY PART NO.
T-POST		3" x 1-7/8" (14 ga)	3-3/4" x 1-7/8" (14 ga)
Punched for self adjustment on 1-1/2" centers 	3'	TPS03	TPH03
	4'	TPS04	TPH04
	5'	TPS05	TPH05
	6'	TPS06	TPH06
	7'	TPS07	TPH07
	8'	TPS08	TPH08
	9'	TPS09	TPH09
	10'	TPS10	TPH10
	12'	TPS12	TPH12
	14'	TPS14	TPH14
	16'	TPS16	TPH16

Note: For requirements above 16'-0" high, multiple posts can be spliced using PS05 post splice without compromising capacity.

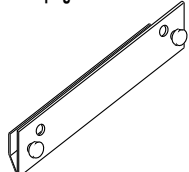
PART DESCRIPTION	LENGTH	STANDARD PART NO.	HEAVY-DUTY PART NO.
DOUBLE RIVET ANGLE BEAM		2-3/4" x 1" (16 ga)	2-3/4" x 1" (14 ga)
Punched for self adjustment on 1-1/2" centers 	2"	ABS12	-
	15"	ABS15	-
	18"	ABS18	-
	24"	ABS24	-
	30"	ABS30	-
	32"	ABS32	-
	36"	ABS36	-
	42"	ABS42	-
	48"	-	ABH48
	60"	-	ABH60
	69"	-	ABH69
	72"	-	ABH72
	84"	-	ABH84
96"	-	ABH96	

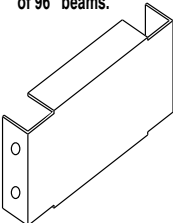
For left to right shelf and front to back shelf support. "R" is for beams punched to accept record storage box support

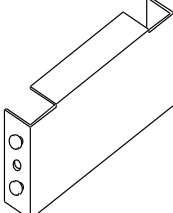
Denotes Stock Component

PART DESCRIPTION	LENGTH	STANDARD PART NO.	HEAVY-DUTY PART NO.
DOUBLE RIVET CHANNEL BEAM			1" x 2-3/4" (14 ga)
For left to right shelf support. Provides for a higher capacity than heavy-duty rivet angle beams. 	48"	-	CBH48
	60"	-	CBH60
	69"	-	CBH69
	72"	-	CBH72
	84"	-	CBH84
	96"	-	CBH96

Note: When a bottom shelf is required to be at the bottom level, use a Heavy-Duty Double Rivet Angle Beam.

PART DESCRIPTION	LENGTH	STANDARD PART NO.	HEAVY-DUTY PART NO.
SINGLE RIVET BEAM		1" x 21/32" (14 ga)	1" x 21/32" (11 ga)
For use as left to right and front to back support. See Beam Load Table for capacity on page 73. 	12"	SRBS12	-
	15"	SRBS15	-
	18"	SRBS18	-
	24"	SRBS24	-
	30"	SRBS30	-
	36"	SRBS36	SRBH36
	42"	SRBS42	SRBH42
	48"	SRBS48	SRBH48

PART DESCRIPTION	LENGTH	STANDARD PART NO.	HEAVY-DUTY PART NO.
CENTER SUPPORT		2-3/4" x 1" (16 ga)	
Bolts to double rivet angle or channel beams to add support to decking and stabilize beams. Supplied with nuts and bolts for fast assembly. Use 1 per pair of beams up to 84", 2 per pair of 96" beams. 	12"	CS12	-
	15"	CS15	-
	18"	CS18	-
	24"	CS24	-
	30"	CS30	-
	32"	CS32	-
	36"	CS36	-
	42"	CS42	-
	48"	CS48	-

PART DESCRIPTION	LENGTH	STANDARD PART NO.	HEAVY-DUTY PART NO.
DOUBLE ROW AND TOP TIE		2-1/2" x 1/4" (14 ga)	
Use to space back-to-back units and to top-tie rows across aisle for added stability. 	9-1/4"	-	DRTT09
	12-1/4"	-	DRTT12
	15-1/4"	-	DRTT15
	18-1/4"	-	DRTT18
	24-1/4"	-	DRTT24
	36-1/4"	-	DRTT36
	42-1/4"	-	DRTT42
	48-1/4"	-	DRTT48

COLOR SELECTION

729 Parchment

STOCK → **PROGRAM**



RIVETWELL SHELVING COMPONENTS

THE FASTEST SHIPPING IN THE INDUSTRY...

PART DESCRIPTION	LENGTH	STANDARD PART NO.	HEAVY-DUTY PART NO.
WALL TIE 2-1/2" x 1-1/4" (14 ga)			
Used to secure units to wall and provide space between wall and unit (Hardware to attach to wall not included).	9-1/4"	WT09	-
FOOT PLATE 1-1/2" x 1-1/2" x 3" (14 ga)			
For use in anchoring angle and tee posts to floor. (Hardware included for attaching posts-Hardware to anchor to the floor not included.) anchor holes are 3/8" diameter.	3"	FPR100	-
POST SPLICE 1-3/8" x 1-3/8" x 5" (11 ga)			
Used to extend post, attaches to outside of post. Order one per Angle Post, two per T-Post.	5"	PS05	-
TIE PLATE 3" x 3" (14 ga)			
Used for structural integrity of T-Post and to join Angle Post units side by side to insure proper row alignment.	NA	TP1	-
TIRE RACK BEAM 2-3/4" x 1" (14 ga)			
For left to right shelf support of tires. 9 degrees angle on supporting edge.	48" 60"	TRB48 TRB60	-

PART DESCRIPTION	LENGTH	STANDARD PART NO.	HEAVY-DUTY PART NO.
HANGER BAR 1-1/4" x 1-1/4" x 1-1/4" (14 ga)			
For hanging items between double rivet beams. One or more may be used per level.	36" 42" 48" 60"	HB 36 HB 42 HB 48 HB 60	- - - -
DECK OVER GRATING SUPPORT 3-12" x 1-13/16" x 2-3/16" (11 ga)			
Provides secure support for grating when decking over entire installation.	36" 48" 60" 69" 72"	- - - - -	DOGS36 DOGS48 DOGS60 DOGS69 DOGS72
DOWN AISLE GRATING SUPPORT 3-12" x 1-13/16" x 1-15/16" (11 ga)			
Attaches to unit front between rows to provide support for grating on 2-level rivetwell installations. For maximum aisle width of 48". Use a minimum of 3 screws per support. 9 degree angle on top edge.	36" 48" 60" 69" 72"	- - - - -	DAGS36 DAGS48 DAGS60 DAGS69 DAGS72
BEAM CLEAT 1-1/2" x 1"-1/2" x 3" (14 ga) 1-1/2" x 1"-1/2" x 3" (14 ga)			
An economical way to add units. Not recommended for heavy loads.	3"	BC-L	BC-R
SLOTTED ANGLE CLEAT 1-1/2" x 1"-1/2" x 3" (14 ga) 1-1/2" x 1"-1/2" x 3" (14 ga)			
For use where slotted angle pieces must be joined, such as special grating supports and top ties.	3"	SAC-L	SAC-R

Denotes Stock Component

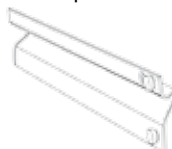
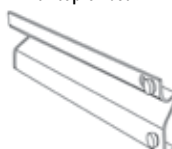

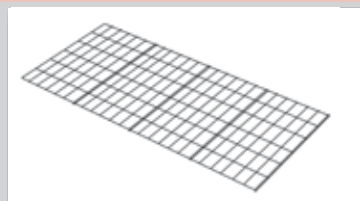


RIVETWELL SHELVING COMPONENTS

Hallowell

www.Hallowell-List.com

RIVETWELL™ SHELVING COMPONENTS

PART DESCRIPTION	LENGTH	STANDARD PART NO.	HEAVY-DUTY PART NO.
DOUBLE RIVET Z-BEAM (STANDARD) 2-1/8" x 7/8" (14 ga)			
For front to back and left to right. allows particle board decking to sit flush with top of beam.	12"	ZBS12	-
	15"	ZBS15	-
	18"	ZBS18	-
	24"	ZBS24	-
	30"	ZBS30	-
	36"	ZBS36	-
	42"	ZBS42	-
	48"	ZBS48	-
60"	ZBS60	-	-
			
DOUBLE RIVET Z-BEAM (HEAVY-DUTY) 2-1/8" x 7/8" (14 ga)			
For front to back and left to right. Allows particle board decking to sit flush with top of beam.	69"	-	ZBH69
	72"	-	ZBH72
			
CENTER SUPPORT FOR Z BEAMS 1-3/16" x 1-1/8" x 7/8" (11 ga)			
Use with Z-beams for additional decking support front to back.	24"	ZCS24	-
	30"	ZCS30	-
	36"	ZCS36	-
	42"	ZCS42	-
	48"	ZCS48	-
			
WIRE DECKING			
For use where additional ventilation is required. Contact factory for additional information.			

RIVETWELL DECKING

Nominal Size	Particle Board Decking	EZ-Deck Steel
36" X 12"	HPB3612	HEZD3612
36" X 15"	HPB3615	HEZD3615
36" X 18"	HPB3618	HEZD3618
36" X 24"	HPB3624	HEZD3624
36" X 30"	HPB3630	HEZD3630
36" X 36"	HPB3636	HEZD3636
42" X 12"	HPB4212	HEZD4212
42" X 15"	HPB4215	HEZD4215
42" X 18"	HPB4218	HEZD4218
42" X 24"	HPB4224	HEZD4224
42" X 30"	HPB4230	HEZD4230
42" X 36"	HPB4236	HEZD4236
48" X 12"	HPB4812	HEZD4812
48" X 15"	HPB4815	HEZD4815
48" X 18"	HPB4818	HEZD4818
48" X 24"	HPB4824	HEZD4824
48" X 30"	HPB4830	HEZD4830
48" X 36"	HPB4836	HEZD4836
60" X 12"	HPB6012	HEZD6012
60" X 15"	HPB6015	HEZD6015
60" X 18"	HPB6018	HEZD6018
60" X 24"	HPB6024	HEZD6024
60" X 30"	HPB6030	HEZD6030
60" X 36"	HPB6036	HEZD6036
69" X 15"	HPB6915	HEZD6915
69" X 30"	HPB6930	HEZD6930
72" X 18"	HPB7218	HEZD7218
72" X 24"	HPB7224	HEZD7224
72" X 30"	HPB7230	HEZD7230
72" X 36"	HPB7236	HEZD7236
72" X 48"	HPB7248	HEZD7248
84" X 24"	HPB8424	HEZD8424
84" X 30"	HPB8430	HEZD8430
84" X 36"	HPB8436	HEZD8436
84" X 48"	HPB8448	HEZD8448
96" X 18"	HPB9618	HEZD9618
96" X 24"	HPB9624	HEZD9624
96" X 30"	HPB9630	HEZD9630
96" X 36"	HPB9636	HEZD9636
96" X 48"	HPB9648	HEZD9648

Particle Board Decking is type 1-M-2, 5/8" industrial grade and is in stock for immediate shipment. Order using the product number(s) listed. Be sure to order one each of particle board decking or EZ-Deck steel decking per level. All above decking is in stock. Additional sizes available on special order.

NOTE: EZ-Deck must be center supported on units 48" wide and wider.

COLOR SELECTION

729 Parchment

5 DAY SHIPPING ON ALL IN-STOCK PRODUCTS

15

STOCK → **PROGRAM**

PARTICLE BOARD & E-Z DECK CAPACITY RATINGS

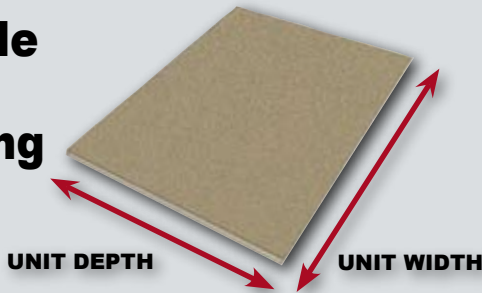
THE FASTEST SHIPPING IN THE INDUSTRY...

Recommended safe use load table for 5/8" particle board and EZ-Deck steel decking allowable uniformly distributed static live loads for deck material

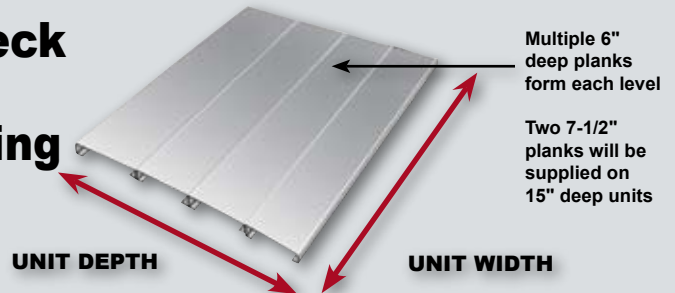
Size (inches) W x D	Particle Board Decking	EZ-Deck Steel Decking	2 Sides Supported		4 Sides Supported		4 Sides + Center Supported		4 Sides + 2 Center Supported	
			LOAD (lbs.)	DEFL (ins)	LOAD (lbs.)	DEFL (ins)	LOAD (lbs.)	DEFL (ins)	LOAD (lbs.)	DEFL (ins)
36x12	HPB3612	HEZD3612	425	0.06	675	0.08				
36x18	HPB3618	HEZD3618	400	0.17	550	0.18				
36x24	HPB3624	HEZD3624	305	0.30	435	0.23				
36x30	HPB3630	HEZD3630	250	0.47	385	0.32				
36x36	HPB3636	HEZD3636	150	0.50	180	0.39				
42x12	HPB4212	HEZD4212	490	0.06	755	0.08				
42x18	HPB4218	HEZD4218	460	0.17	600	0.18				
42x24	HPB4224	HEZD4224	355	0.30	500	0.29				
42x30	HPB4230	HEZD4230	300	0.47	410	0.36				
42x36	HPB4236	HEZD4236	175	0.50	385	0.45				
48x12	HPB4812	HEZD4812	560	0.06	850	0.08	1160	0.08		
48x18	HPB4818	HEZD4818	525	0.17	635	0.18	770	0.10		
48x24	HPB4824	HEZD4824	405	0.30	530	0.30	700	0.11		
48x30	HPB4830	HEZD4830	325	0.47	440	0.40	705	0.12		
48x36	HPB4836	HEZD4836	200	0.50	400	0.50	755	0.12		
48x48	HPB4848	HEZD4848	85	0.50	275	0.50	920	0.13		
60x18	HPB6018	HEZD6018	660	0.17	735	0.18	835	0.12	1140	0.08
60x24	HPB6024	HEZD6024	505	0.30	615	0.32	700	0.15	1180	0.10
60x30	HPB6030	HEZD6030	410	0.47	520	0.46	650	0.16	1324	0.11
60x36	HPB6036	HEZD6036	250	0.50	380	0.50	665	0.17	1520	0.12
60x48	HPB6048	HEZD6048	105	0.50	230	0.50	750	0.18	2000	0.14
69x15	HPB6915	HEZD6915	900	0.11	950	0.12	1150	0.12	1250	0.11
69x30	HPB6930	HEZD6930	470	0.50	600	0.50	670	0.20	1220	0.13
72x18	HPB7218	HEZD7218	800	0.17	850	0.17	1000	0.15	1200	0.10
72x24	HPB7224	HEZD7224	605	0.30	680	0.31	770	0.19	1135	0.12
72x30	HPB7230	HEZD7230	500	0.47	610	0.50	680	0.21	1200	0.14
72x36	HPB7236	HEZD7236	300	0.50	390	0.50	655	0.23	1325	0.16
72x48	HPB7248	HEZD7248	130	0.50	215	0.50	685	0.25	1670	0.18
84x24	HPB8424	HEZD8424	705	0.30	765	0.31	870	0.23	1150	0.15
84x30	HPB8430	HEZD8430	570	0.47	650	0.49	735	0.27	1150	0.18
84x36	HPB8436	HEZD8436	355	0.50	415	0.50	670	0.29	1210	0.20
84x48	HPB8448	HEZD8448	150	0.50	215	0.50	660	0.33	1460	0.23
96x18	HPB9618	HEZD9618	1050	0.17	1115	0.17	1300	0.18	1500	0.15
96x24	HPB9624	HEZD9624	810	0.30	850	0.31	1000	0.26	1200	0.18
96x30	HPB9630	HEZD9630	655	0.47	710	0.49	800	0.32	1180	0.20
96x36	HPB9636	HEZD9636	405	0.50	450	0.50	710	0.36	1150	0.24

NOTE: The above load chart refers to the deck materials only. Particle board decking is 5/8" industrial grade type 1-M-2. EZ-Deck steel decking is 22 gauge galvanized sheet steel fabricated in 6" deep channel planks (models listed above include multiple planks to meet unit depth). 15" deep Ez-Deck will be shipped in two (2) 7 1/2" deep planks. The allowable shelf load capacity may be reduced due to allowable post and / or beam capacities. Specific deflection limits may also reduce the shelf load capacity. **NOTE: EZ-Deck must be center supported on units 48" wide and wider.**

Particle Board Decking



EZ-Deck Steel Decking



NOTE: EZ-Deck steel decking is for use with double rivet units **ONLY**.



POST CAPACITY CHART

Recommended safe loads (per post) for use only where seismic forces are not a factor

BEAM SPACING	STD. ANGLE POST CAPACITY	HEAVY ANGLE POST CAPACITY
12"	1530	1735
18"	1520	1720
24"	1510	1695
30"	1490	1680
36"	1350	1660
42"	990	1560
48"	755	1195

BEAM SPACING	STANDARD/HEAVY-DUTY T-POST CAPACITY
12"	5045
18"	4965
24"	4850
30"	4705
36"	4525
42"	4315
48"	4075

Post capacities are based on the maximum vertical distance between left-to-right beams or front-to-back beams, whichever is greater. In single rivet beam units, the vertical distance between front-to-back beams will usually govern. Tie plates must be spaced no more than 48 inches apart to insure structural stability when joining angle post together. All units require tie plates at top and bottom.

The above capacities are not intended for use when designing multi-level systems or for specific requirements where seismic forces are a factor. For specific multi-level or seismic requirements contact your Hallowell Sales Manager.

BEAM LOAD TABLE (CAPACITY PER PAIR)					
Recommended safe use allowable uniformly distributed hand loaded static beam loads					
	WITHOUT CENTER. SUPTS.(***)			WITH CENTER. SUPTS.(*)	
	LENGTH (IN.)	CAPACITY (LBS.)	DEFLECTION (IN.)	CAPACITY (LBS.)	DEFLECTION (IN.)
SINGLE RIVET SHELF BEAMS					
STANDARD BEAM	36	350	0.25	-	-
	42	300	0.30	-	-
	48	250	0.34	-	-
HEAVY DUTY BEAM	36	600	0.25	-	-
	42	550	0.30	-	-
	48	500	0.34	-	-
DOUBLE RIVET ANGLE BEAMS					
STANDARD BEAM	36	1000	***	-	-
	42	780	***	-	-
	48	500	***	875*	0.12
HEAVY DUTY BEAM	48	750	***	1400**	0.16
	60	600	***	1200	0.25
	69	525	***	1050	0.33
	72	500	***	1000	0.36
	84	-	-	840	0.49
	96	-	-	620	0.53
DOUBLE RIVET CHANNEL BEAMS					
	60	-	-	2240	0.23
	72	-	-	1850	0.33
	84	-	-	1600	0.45
	96	-	-	1400	0.59
DOUBLE RIVET Z-BEAM					
	48	1250	-	1750	-
	60	750	-	1000	-
	69	600	-	1000	-
	72	600	-	1000	-

DESIGN CRITERIA:

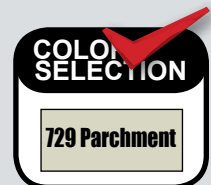
All units must have a full perimeter of double rivet beams at the top and bottom to insure a stable and rigid unit. All units using single rivet beams 10'0" to 18'0" in height, require an additional double rivet perimeter beam level located approximately in the middle of the unit.

All single rivet beam units must have one (1) intermediate pair of front to back beams for 7'0" and 8'0" high units and (2) intermediate pair of front to back beams for 9'0" high units. For 10'0" to 18'0" high units refer to the above paragraph.

DO NOT exceed 48" between front to back beams. Single Rivet and Double Rivet Front-to-Back Beams may be common when using T-Posts on units up to 8' high.

All intermediate single rivet levels over 24 inches deep must also have single rivet beams supporting the particle board front to back.

All double rivet beam units must have front to back beams at each shelf level.



(*) One (1) support per pair of beams except 96" which have two (2) supports
 (**) Refer to shelf load capacities for beam capacities when depth is 30", 36" and 48".
 (***) Beam rotation is less than 5 degrees.